



SC SERIES

Precision Counting Scale

- 10 x 0.002lb, 25 x 0.005lb, and 50 x 0.01lb Versions Available
- 1,000 Item Unit Weight Memory
- Easy to Read VFD Displays
- Metric / Pound Convertible



CAS

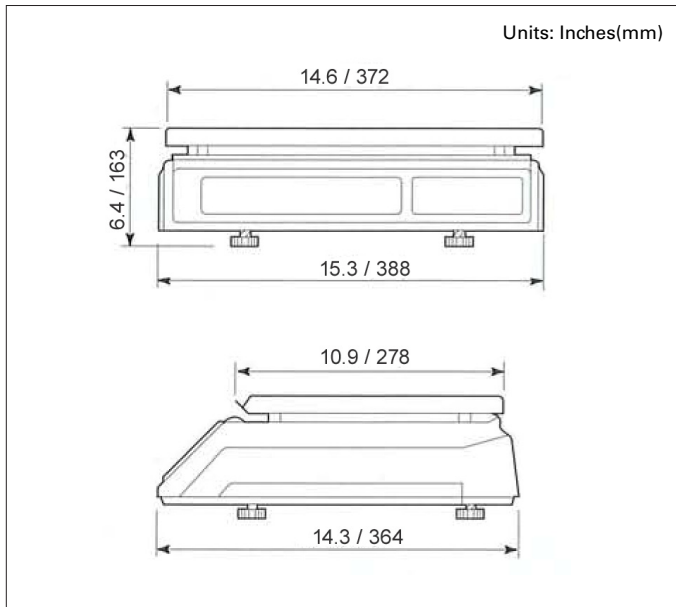
SC SERIES | Precision Counting Scales



Features

- 5 Digit Unit Weight for Precision Counting
- 1,000 Item Memory with Tare Accumulation Feature
- High Internal Resolution (1/100,000)
- Easy to Read VFD Displays
- Stainless Steel Platter
- Auto Span Adjustment
- Auto Zero Tracking
- RS-232C Interface

DIMENSIONS



DISPLAY & KEYBOARD



SPECIFICATIONS

Model	SC-05P	SC-10P	SC-25P
Weighing Capacity	10 x 0.002 lb 5 kg x 1 g	25 x 0.005 lb 10 kg x 2 g	50 x 0.01 lb 25 kg x 5 g
Internal Resolution	1 / 100,000		
Display Digit	Weight / Count / Unit Weight (5/5/5)		
Display Designators	Zero, Tare, g, lb, Lacked Sample, Lacked Unit Weight		
Power Source	AC 120V, 60Hz		
Power Consumption	Approx. 7 W		
Operating Temperature			
Platter (inch/mm)	14.6(W) x 10.9(D) / 372(W) x 278(D)		
Dimensions (inch/mm)	15.3(W) x 14.3(D) x 6.4(H) / 388(W) x 364(D) x 163(H)		
Product Weight	15.8 lb / 7.2 kg		

Options

- Wet Cover
- RS-232 Cable



CAS Corporation
 99 Murray Hill Parkway
 East Rutherford, NJ 07073
 (800) 223-4227 • Fax (201) 933-9025
<http://www.cas-usa.com>

Specifications are subject to change for improvement without prior notice.