



Known for Reliability Since 1921

The BIRO MINI-22 Mixer Grinder makes it easier than ever to break away from the daily grind. Its 45lb. (20 kg) hopper capacity lets you grind only the amounts you need to keep the case full and still keep your grinds as fresh as possible. You can use the same grinder for all of your ground products without having to worry about cross-contamination because the MINI-22 is so easy to clean. It's simple to disassemble, and all of the pieces are light so you can just carry all of them to the sink, wash them up, and go to the next batch.

The 2HP auger motor gives you ample power to grind fresh meat, sausage, or poultry all day. The separate 1HP Mixer motor provides the versatility to perform any mixing or blending which is required prior to the grinding operation.

So break away from the daily grind and keep your ground meat as fresh as possible with the BIRO Model MINI-22.

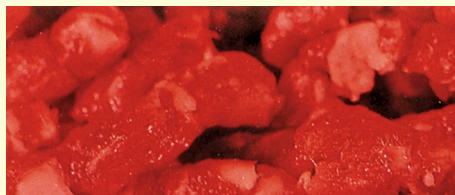


MINI-22
(Mini-Automatic Feed)

1/8" (3.5 mm)



3/8" (9.0 mm)



MINI-22

MODEL SPECIFICATIONS

Model: MINI-22 Mixer Grinder (Size 22, Mini-Automatic Feed).

Construction: Stainless Steel Frame • Enclosure • Hopper • Lid • Bowl • Ring • Auger.

Motors:

	HP	KW	TYPE	VOLTS	AMPS	HERTZ	PHASE
AUGER	2	1.5	TE	208-220	6.7-6.3	60	3
MIXER	1	.75	TE	208-220	3.5-3.3	60	3
AUGER	2	1.5	TE	380-415	3.6-3.3	50	3
MIXER	1	.75	TE	380-415	2.0-1.8	50	3
AUGER	2	1.5	TE	208-240	15.3-13.3	50/60	1
MIXER	1	.75	TE	208-240	10.2-8.8	50/60	1

EC - EXTRA CHARGE

TE - TOTALLY ENCLOSED

Switch: 3 phase, watertight magnetic with thermal overload and under voltage protection.

1 phase, Variable Frequency Drives (VFD) with overload protection. VFD powers 3 phase motors.

Power Cord: 10' 12 GA-4 wire cord with 4 blade twist lock plug 250 volt, 20A, 60Hz, 3Ph.

10' 10 GA-3 wire cord with 3 blade twist lock plug 30A, 60Hz, 1Ph. (NO plug on 50 Hz.)

Hopper Capacity: Up to 45 lbs. (20 kg).

Grinding Capacity: Up to 22 lbs. (10 kg) per minute
1/8"(3.5 mm) plate.

Drive System: Double-reduction, direct-drive gearmotors (both auger & mixer).

Safety: Interlock on lid.

Standard: No inlet (solid hopper) • stainless steel bowl assembly, removable for easier cleaning • spurt guard • operating and safety manual • stainless steel grinder stand with locking swivel casters • receptacle for pneumatic footswitch.

Options (EC)- 3 phase: Pneumatic or electric footswitch • Stainless steel casters • Size 22 knives & plates.

Options (EC)- 1 phase: Pneumatic footswitch • Stainless steel casters • Size 22 knives & plates.

Certification- 3 phase: NSF, [ETL-(c/us) 60 Hz only.]

Certification- 1 phase: NSF.

Weight: Uncrated 342 lbs. (155kg) w/ grinder stand, approx.

Skid Carton 433 lbs. (197kg) w/ grinder stand, approx.

Wood Crated 530 lbs. (240.4kg) w/ grinder stand, approx.

Machine Dimensions:

L= 35"(889mm), W= 25 1/4"(641.4mm), H= 52"(1321mm).

Dimensions Skid Carton:

L= 40"(1016mm), W= 32"(813mm), H= 62"(1575mm).

Dimensions Wood Crated:

L= 44"(1117.6mm), W= 30"(762mm), H= 61"(1549.4mm).

BIRO MANUFACTURING COMPANY

1114 WEST MAIN STREET

MARBLEHEAD, OH 43440-2099 U.S.A.

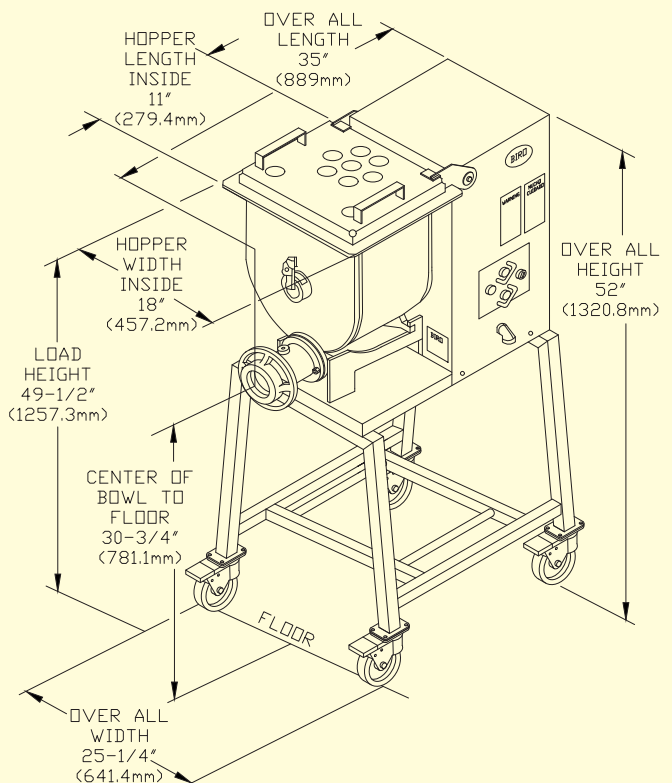
Phone: (419) 798-4451 • Fax: (419) 798-9106

www.birosaw.com • sales@birosaw.com

All specifications contained herein are subject to change without notification.



STAINLESS STEEL PADDLE
SHOWN
INSTALLED IN HOPPER



ITEM NO.: LIT-MINI-22-367
FORM NO.: Md MINI-22-367-11-20-7

Service is available from locations worldwide