



Known for Reliability Since 1921

Increase your production output without spending a fortune. The Biro Model AFMG-56-4 Auto Feed Mixer-Grinder, has a 400 lbs. (182 kg) product hopper capacity. The 15 HP (11 kW) auger motor & 5 HP (3.7 kW) mixer motor are powerful enough so they won't bog down. The twin mixing paddles give you a thorough feed and mix. The product hopper, frame, paddles, bowl, ring, and auger are constructed of heavy duty stainless steel.

The machine has watertight controls so you can do a full wash-down cleanup.

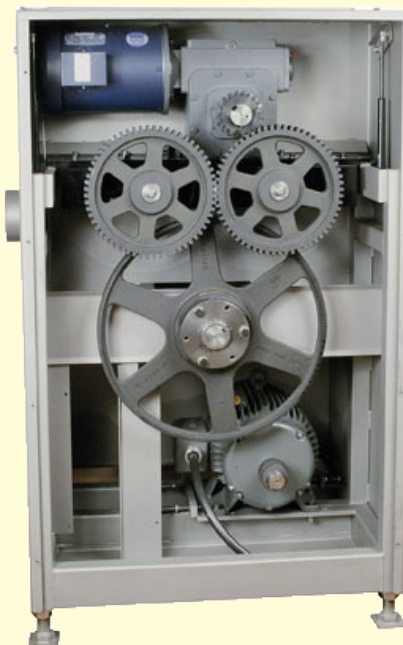
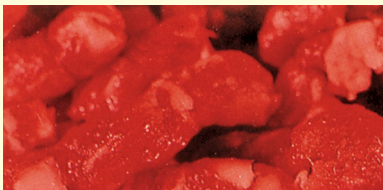
As with all Biro designed and built machines, you get the benefit of engineering experience building meat processing equipment since 1921.



1/8" (3.5 mm)



3/8" (9.0 mm)



AFMG-56-4

MODEL AFMG-56-4 SPECIFICATIONS

Model: AFMG-56-4 Auto-Feed Mixer-Grinder

Construction: Heavy duty stainless steel hopper, lid, paddles, frame and legs. Stainless steel, Size 56 bowl, ring and auger.

Motors: TEFC= Totally Enclosed Fan Cooled, DP= Drip Proof

| MOTOR | HP | kW | TYPE | VOLTS | AMPS | CYCLE | PH | STATUS |
|-------|----|------|------|-------------|--------------|-------|----|--------|
| AUGER | 15 | 11 | TEFC | 208-230/460 | 39.8-36/18 | 60 | 3 | STD |
| MIXER | 5 | 3.7 | DP | 208-230/460 | 14-12.6/6.3 | 60 | 3 | STD |
| AUGER | 15 | 11.2 | TEFC | 200 | 42 | 60 | 3 | EC |
| MIXER | 5 | 3.7 | TEFC | 200 | 14.4 | 60 | 3 | EC |
| AUGER | 15 | 11.2 | TEFC | 575 | 14.6 | 60 | 3 | EC |
| MIXER | 5 | 3.7 | TEFC | 575 | 5.1 | 60 | 3 | EC |
| AUGER | 15 | 11 | TEFC | 220/380-415 | 37.9/21.5-20 | 50 | 3 | EC |
| MIXER | 5 | 3.7 | TEFC | 220/380-415 | 14/8.1-8.08 | 50 | 3 | EC |

EC = Extra Charge NC = No Charge STD = Standard

Switch: Watertight magnetic controller with thermal overload and under voltage protection, separate mix and grind controls.

Power cord: Wired on the low side (200-230) volt operation:

9' (2.7 m) No. 6 GA. wire conductor Power Cord - less plug.

Wired on the high side (380-480) volt operation:

9' (2.7 m) No. 8 GA. wire conductor Power Cord - less plug.

Wired (575) volt operation:

9' (2.7 m) No. 10 GA. wire conductor Power Cord - less plug.

Hopper Capacity: Up to 400 lbs. (182 kg).

Grinding Capacity: Up to approximately 200 lbs. (91 kg) output per minute.

Drive systems: Auger transmission: single reduction Eagle PD (poly), self centering, no stretch, no lubricating drive belt.

Mixer transmission: double reduction gear box w/ open face meshing gear drive.

Safety: Magnetic safety interlock on hopper lid.

Standard Features: Four 11" (28 cm) stainless steel adjustable legs with foot pads. NOTE: If machine is raised to 8" or more of exposed leg threads, the machine must have a reinforcing cross leg brace (#40458NE). Spurt guard • lid closing assist dampeners • operating and safety manual.

Options (NC): Operating controls located on left side of machine when facing bowl.

Options (EC): Size 56 knives and plates, footswitch (pneumatic or electrical) • four 6" (15 cm) swivel casters with side lock on 11" (28 cm) stainless steel adjustable threaded studs on caster mounting pads. NOTE: If machine is raised exposing a maximum of 8" (20 cm) of leg threads above casters, a stainless steel leg reinforcing cross brace (#40458NE) is required •

Four 16" S.S. threaded adjustable legs with caster pads for optional 6" (15 cm) diameter swivel casters with side lock (#60123NE).

Note: optional reinforcing cross brace is required (#40458NE). Continuous feed (grill style) lid opening front to rear only •

Hopper view, fold up step on left side or right side 18" (46 cm) Wide x 19-3/4" (50 cm) Deep.

Tandem Options (EC): Requirements for Tandem

Operation. Size 56 - 90° hopper side inlet right side or left side • size 56 to 56 discharge horn • inlet seal • connecting bracket. See above options and tandem drawing for proper leg, foot, and castor selection.

Weight: Uncrated: 1760 lbs. (798 kg) approx.

Wood crated: 2120 lbs. (962 kg) approx.

Crated Dims: L = 72" (1829 mm),

W = 49" (1219 mm),

H = 76" (1930 mm).

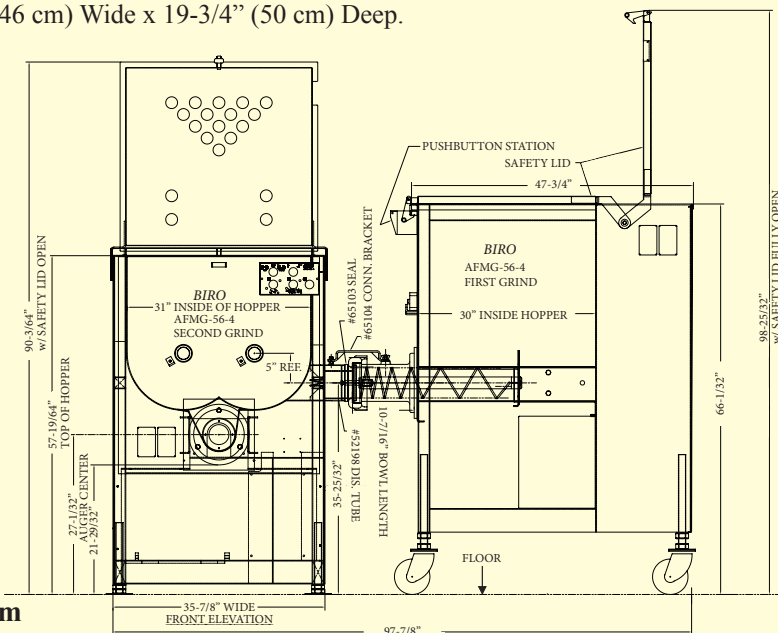
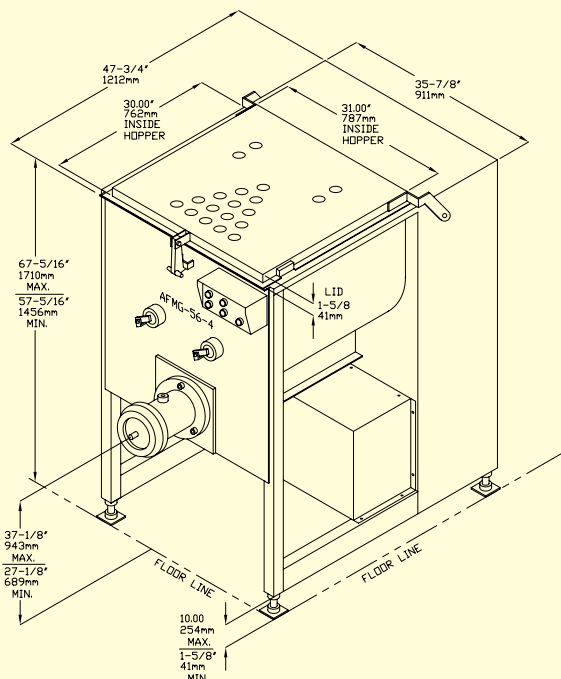
BIRO MANUFACTURING COMPANY
 1114 WEST MAIN STREET
 MARBLEHEAD, OH 43440-2099 U.S.A.

Phone: (419) 798-4451

http://www.birosaw.com

Fax: (419) 798-9106

sales@birosaw.com



AFMG-56-4 to AFMG-56-4 Tandem System

ITEM NO.: LIT-AFMG-56-4-329

FORM NO.: AFMG-56-4-329-1-20-5

All specifications contained herein are subject to change without notification.

Service is available from locations worldwide